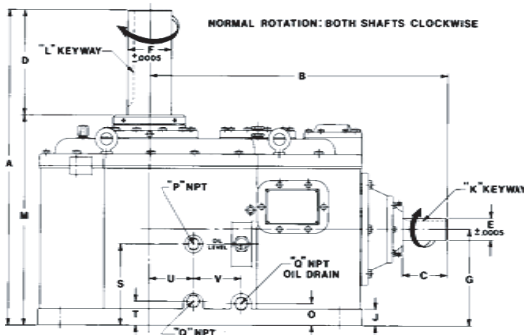
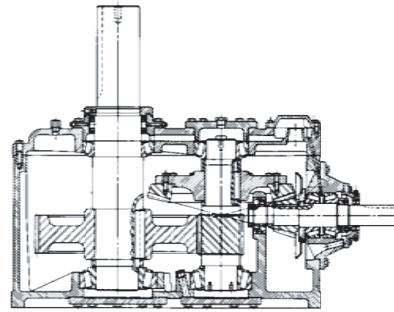
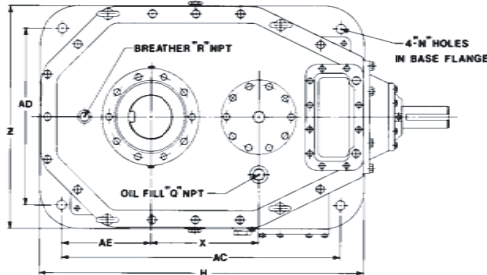
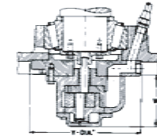
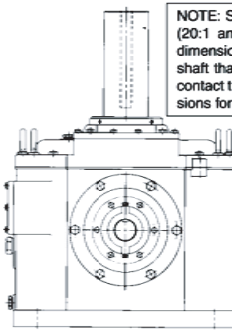


1713W Double Reduction



NOTE: Some of the higher ratio gear drives (20:1 and up) may have slightly different dimensions involving the horizontal input shaft than those listed in Table VII. Please contact the factory to verify accurate dimensions for your high ratio applications.



OPTIONAL OIL PUMP
MINIMUM CLEARANCE
*Optional oil pump is positioned under the intermediate shaft. Contact factory for additional information & certified dimensional drawing.

A	B	C	C with non-reverse	D	E	F	G	H	J	K	L	M	N	O
39 5/8	37 1/4	5 13/16	3 1/2	12	2.936	5.499	13 1/2	41	1 1/2	314 x 3/8	1 1/4 x 5/8	27 5/8	1 5/16	3 1/4
P	Q	R	S	T	U	V	W	X	Y	Z	AC	AD	AE	WEIGHT
3/4	1	1/2	10 3/4	4 3/4	3 5/8	5 7/16	4 7/8	13 3/4	10 1/2	36	34 7/8	33	11 5/8	3180

Exact Ratio

7.5	8	8.5	9	9.5	10	10.5	11	11.5	12	12.5	13	14	15	15.5	16	17	18	19	20	25
					10.53	11.20	11.71	12.27	12.27	13.13	13.82	15.11	15.48	16.03	17.34	18.27	18.58	20.13	25.15	

Domestic Shipping Weight (lbs)	Weight with Export Boxing (lbs)	Export Box Dimensions (L, x W x H) (in)	Vertical Shaft Down Thrust Capacity (pounds)	16000	Thrust ratings vary greatly depending upon the transmitted power and the vertical shaft speed. The rating to the left are the axial loads that can be applied the fan shaft which will always result in a calculated bearing life greater than 100,000 hours. These ratings are based on the worse case from the power rating tables. All models can be supplied with larger thrust bearings or special bearing arrangements. Contact us when the fan loading conditions or the bearing life requirements cannot be satisfied with the ratings from the table.
3600	3855	55 x 47 x 47			

Service Horsepower Ratings (Service Factor =2.0)

RATIO*

Input RPM	7.5	8	8.5	9	9.5	10	10.5	11	11.5	12	12.5	13	14	15	15.5	16	17	18	19	20	25
1750							392	390	366	343	333	323	310	300	294	285	272	262	250	241	150
1450							325	323	303	284	267	268	257	249	244	236	225	217	207	200	124
1160							260	259	243	227	220	214	205	199	195	189	180	174	166	160	99

*Choose models & Ratios in outlined area for standard price and delivery. Contact us for all others.