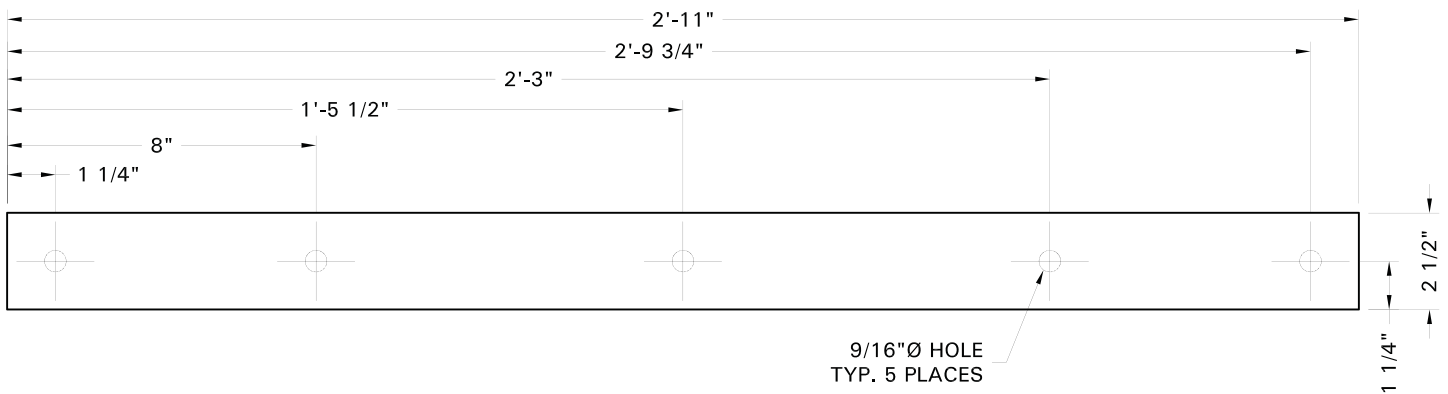


FRP Joint Connector 5HS-22



Cooling Tower Depot, Inc. offers a wide variety of FRP joint connectors. Our straps are available in both three and five hole configurations. These straps come with any combination of 9/16" and 13/16" configurations and are available with custom hole placements.

Contact one of our knowledgeable customer service representatives to order one of our in stock configurations or to place an order for a customized strap.



5HS-22
5 HOLE STRAP
2 1/2" x 2'-11" x 3/16"
FRP

	PROJECT NAME AND LOCATION:	THIS DRAWING IS THE SOLE PROPERTY OF COOLING TOWER DEPOT INC. USE SHALL BE LIMITED TO THE PROJECT FOR WHICH IT IS INTENDED, NO REPRODUCTION SHALL BE MADE NOR SHALL THIS INFORMATION BE MADE AVAILABLE TO THIRD PARTIES WITHOUT THE PRIOR WRITTEN CONSENT BY COOLING TOWER DEPOT INC. ANY AND ALL PROPRIETARY RIGHTS TO THIS INFORMATION AND DESIGN ARE THE SOLE PROPERTY OF COOLING TOWER DEPOT INC.				JOB NUMBER:	0	REV:	0																																									
	MODEL NO.:	<table border="1"> <thead> <tr> <th colspan="5">REVISIONS</th> </tr> <tr> <th>REV.</th> <th>DESCRIPTION</th> <th>DESIGNED BY:</th> <th>CHECKED BY:</th> <th>APPROVED BY:</th> <th>DATE:</th> </tr> </thead> <tbody> <tr><td>0</td><td></td><td></td><td></td><td></td><td></td></tr> <tr><td>1</td><td></td><td></td><td></td><td></td><td></td></tr> <tr><td>2</td><td></td><td></td><td></td><td></td><td></td></tr> <tr><td>3</td><td></td><td></td><td></td><td></td><td></td></tr> <tr><td>4</td><td></td><td></td><td></td><td></td><td></td></tr> </tbody> </table>				REVISIONS					REV.	DESCRIPTION	DESIGNED BY:	CHECKED BY:	APPROVED BY:	DATE:	0						1						2						3						4						COOLING TOWER DEPOT, INC.	SCALE:	NO SCALE	SHEET:
REVISIONS																																																		
REV.	DESCRIPTION	DESIGNED BY:	CHECKED BY:	APPROVED BY:	DATE:																																													
0																																																		
1																																																		
2																																																		
3																																																		
4																																																		
DWG NAME:	DRAWING NUMBER:	JOB NUMBER:	SHEET:	REV:	CORPORATE CIRCLE				PROJ. NUMBER:	A-100																																								
	A-100		1 of 1	0	GOLDEN, CO 80401																																													
SCALE:	NO SCALE	COMMENTS:					720-746-1234																																											