

## CTD-CM4104T 30HP Motor



### Product Detail

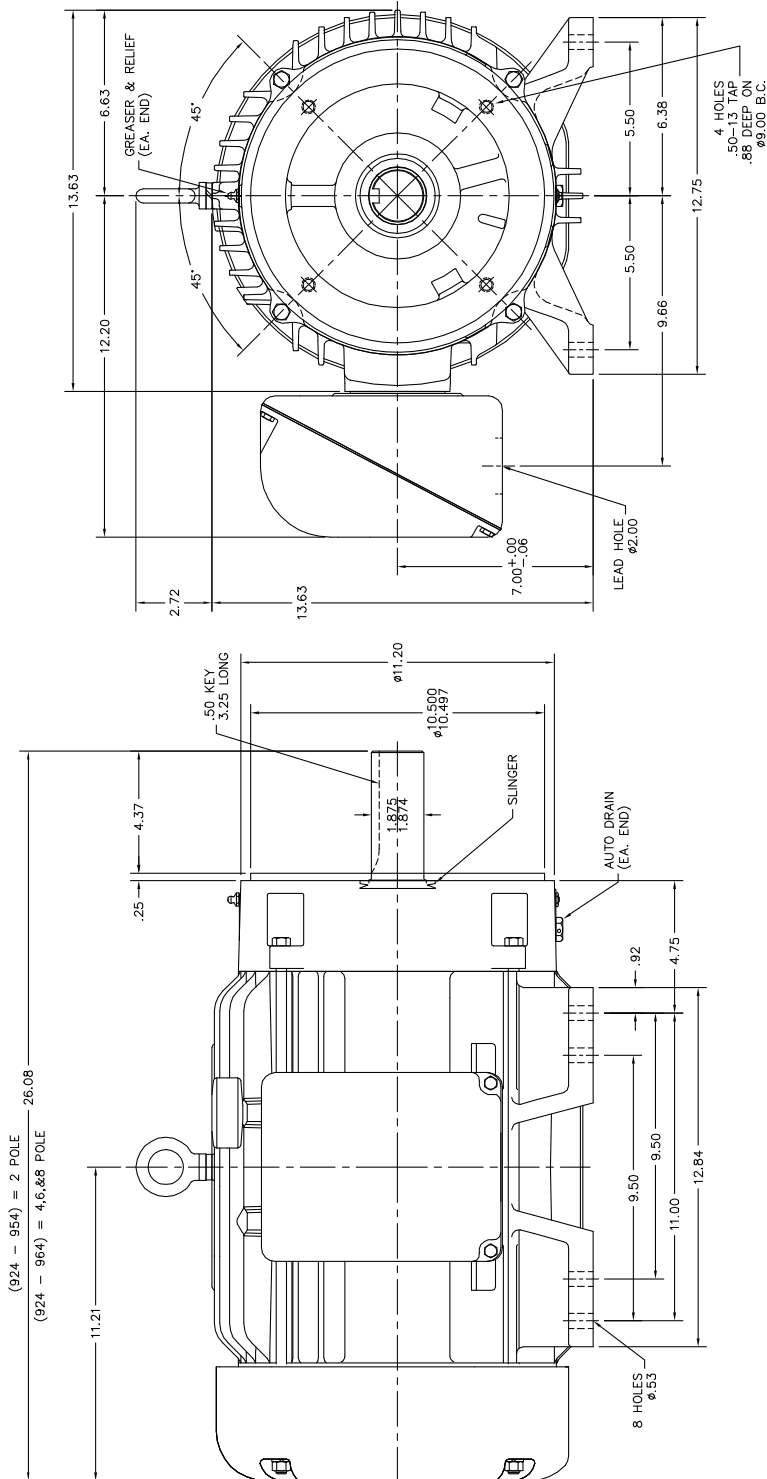
Revision:	J	Status:	PRD/A	Change #:		Proprietary:	No
Type:	AC	Prod Type:	0962M	Elec. Spec:	09WGY901	CD Diagram:	CD0180
Enclosure	TEFC	Mfg Plant:		Mech Spec:	09F439	Layout:	09LYF439
Frame:	286TC	Mounting:	F1	Poles:	04	Created Date:	
Base:	RG	Rotation:	R	Insulation:	F	Eff. Date:	12-22-2008
Leads:	9#10	Literature:		Elec. Diagram:		Replaced By:	

### Nameplate NP1256L

CAT.NO.	CM4104T						
SPEC.	09F439Y901H1						
HP	30						
VOLTS	230/460						
AMP	72/36						
RPM	1760						
FRAME	286TC	HZ	60	PH	3		
SER.F.	1.15	CODE	H	DES	A	CLASS	F
NEMA-NOM-EFF	92.4	PF	85				
RATING	40C AMB-CONT						
CC	010A	USABLE AT 208V	78				
DE	6311	ODE	6208				
ENCL	TEFC	SN					

	PROJECT NAME AND LOCATION:	THIS DRAWING IS THE SOLE PROPERTY OF COOLING TOWER DEPOT INC. USE SHALL BE LIMITED TO THE PROJECT FOR WHICH IT IS INTENDED, NO REPRODUCTION SHALL BE MADE NOR SHALL THIS INFORMATION BE MADE AVAILABLE TO THIRD PARTIES WITHOUT THE PRIOR WRITTEN CONSENT BY COOLING TOWER DEPOT INC. ANY AND ALL PROPRIETARY RIGHTS TO THIS INFORMATION AND DESIGN ARE THE SOLE PROPERTY OF COOLING TOWER DEPOT INC.				COOLING TOWER DEPOT, INC CORPORATE CIRCLE GOLDEN, CO 80401 720-746-1234	JOB NUMBER: 0 SCALE: NO SCALE SHEET: 1 of 1	REV: A-100		
	MODEL NO.:	REVISIONS								
	DWG NAME:	REV.	DESCRIPTION	DESIGNED BY:	CHECKED BY:				APPROVED BY:	DATE:
	DRAWING NUMBER: A-100	JOB NUMBER:	SHEET: 1 of 1	REV: 0						
	SCALE: NO SCALE	COMMENTS:								

## CTD-CM4104T 30HP Motor



PROJECT NAME AND LOCATION:			
MODEL NO.:			
DWG NAME:			
DRAWING NUMBER:	JOB NUMBER:	SHEET	REV:
A-100		1 of 1	0
SCALE: NO SCALE		COMMENTS:	

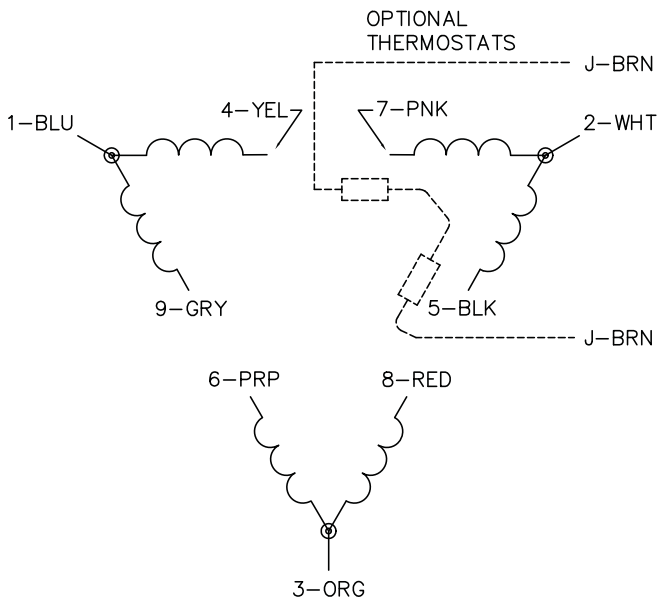
THIS DRAWING IS THE SOLE PROPERTY OF COOLING TOWER DEPOT INC. USE SHALL BE LIMITED TO THE PROJECT FOR WHICH IT IS INTENDED, NO REPRODUCTION SHALL BE MADE NOR SHALL THIS INFORMATION BE MADE AVAILABLE TO THIRD PARTIES WITHOUT THE PRIOR WRITTEN CONSENT BY COOLING TOWER DEPOT INC. ANY AND ALL PROPRIETARY RIGHTS TO THIS INFORMATION AND DESIGN ARE THE SOLE PROPERTY OF COOLING TOWER DEPOT INC.

REVISIONS			
REV.	DESCRIPTION	DESIGNED BY:	CHECKED BY:
0			
1			
2			
3			
4			

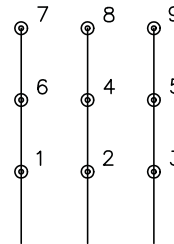
COOLING TOWER DEPOT, INC  
 CORPORATE CIRCLE  
 GOLDEN, CO 80401  
 720-746-1234

REV:	0
SCALE:	NO SCALE
SHEET:	1 of 1
JOB NUMBER:	
PROJECT NUMBER:	A-100

## CTD-CM4104T 30HP Motor

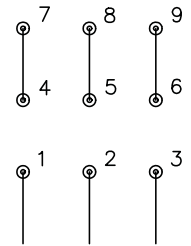


LOW VOLTAGE  
(2D)



LINE

HIGH VOLTAGE  
(1D)



LINE

**NOTES:**

1. INTERCHANGE ANY TWO LINE LEADS TO REVERSE ROTATION.
2. OPTIONAL THERMOSTATS ARE PROVIDED WHEN SPECIFIED.
3. ACTUAL NUMBER OF INTERNAL PARALLEL CIRCUITS MAY BE A MULTIPLE OF THOSE SHOWN ABOVE.
4. LEAD COLORS ARE OPTIONAL. LEADS MUST ALWAYS BE NUMBERED AS SHOWN.

	PROJECT NAME AND LOCATION:	THIS DRAWING IS THE SOLE PROPERTY OF COOLING TOWER DEPOT INC. USE SHALL BE LIMITED TO THE PROJECT FOR WHICH IT IS INTENDED, NO REPRODUCTION SHALL BE MADE NOR SHALL THIS INFORMATION BE MADE AVAILABLE TO THIRD PARTIES WITHOUT THE PRIOR WRITTEN CONSENT BY COOLING TOWER DEPOT INC. ANY AND ALL PROPRIETARY RIGHTS TO THIS INFORMATION AND DESIGN ARE THE SOLE PROPERTY OF COOLING TOWER DEPOT INC.				COOLING TOWER DEPOT, INC CORPORATE CIRCLE GOLDEN, CO 80401 720-746-1234	JOB NUMBER: 0 SCALE: NO SCALE	REV. NO. 1 of 1 SHEET 1 of 1	DRAWING NUMBER: A-100		
	MODEL NO.:	REVISIONS									
	DWG NAME:	REV.	DESCRIPTION	DESIGNED BY:	CHECKED BY:					APPROVED BY:	DATE:
	DRAWING NUMBER: A-100	JOB NUMBER:	SHEET 1 of 1	REV: 0							
	SCALE: NO SCALE	COMMENTS:									