



### Product Detail

<b>Revision:</b>	A	<b>Status:</b>	PRD/A	<b>Change #:</b>		<b>Proprietary:</b>	No
<b>Type:</b>	AC	<b>Prod Type:</b>	1286M	<b>Elec. Spec:</b>	12WGX668	<b>CD Diagram:</b>	CD0180
<b>Enclosure</b>	TEFC	<b>Mfg Plant:</b>		<b>Mech Spec:</b>	12E764	<b>Layout:</b>	12LYE764
<b>Frame:</b>	365TS	<b>Mounting:</b>	F1	<b>Poles:</b>	04	<b>Created Date:</b>	04-19-2007
<b>Base:</b>	RG	<b>Rotation:</b>	R	<b>Insulation:</b>	F	<b>Eff. Date:</b>	07-18-2007
<b>Leads:</b>	9#6	<b>Literature:</b>		<b>Elec. Diagram:</b>		<b>Replaced By:</b>	

### Nameplate NP1256L

<b>CAT.NO.</b>	M4316TS						
<b>SPEC.</b>	12E764X668H1						
<b>HP</b>	75						
<b>VOLTS</b>	230/460						
<b>AMP</b>	172/86						
<b>RPM</b>	1770						
<b>FRAME</b>	365TS	<b>HZ</b>	60	<b>PH</b>	3		
<b>SER.F.</b>	1.15	<b>CODE</b>	H	<b>DES</b>	B	<b>CLASS</b>	F
<b>NEMA-NOM-EFF</b>	94.1	<b>PF</b>	86				
<b>RATING</b>	40C AMB-CONT						
<b>CC</b>	010A	<b>USABLE AT 208V</b>	186				
<b>DE</b>	6313	<b>ODE</b>	6311				
<b>ENCL</b>	TEFC	<b>SN</b>					



PROJECT NAME AND LOCATION:  
MODEL NO.:  
DWG NAME:  
DRAWING NUMBER: **A-100**    JOB NUMBER:  
SHEET **1** OF **1**    REV: **0**  
SCALE: **NO SCALE**    COMMENTS:

THIS DRAWING IS THE SOLE PROPERTY OF COOLING TOWER DEPOT INC. USE SHALL BE LIMITED TO THE PROJECT FOR WHICH IT IS INTENDED, NO REPRODUCTION SHALL BE MADE NOR SHALL THIS INFORMATION BE MADE AVAILABLE TO THIRD PARTIES WITHOUT THE PRIOR WRITTEN CONSENT BY COOLING TOWER DEPOT INC. ANY AND ALL PROPRIETARY RIGHTS TO THIS INFORMATION AND DESIGN ARE THE SOLE PROPERTY OF COOLING TOWER DEPOT INC.

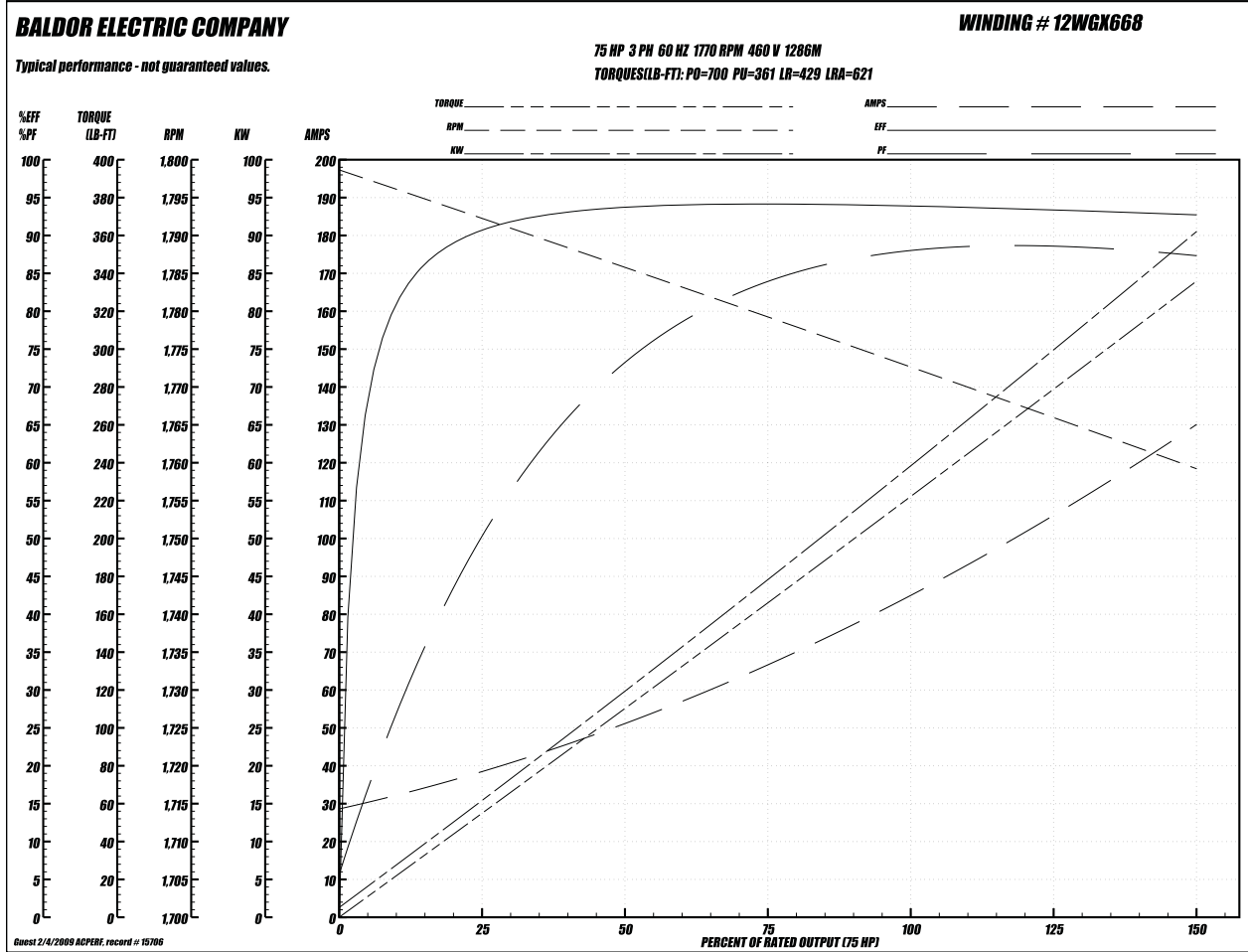
REVISIONS					
REV.	DESCRIPTION	DESIGNED BY:	CHECKED BY:	APPROVED BY:	DATE:
0					
1					
2					
3					
4					

COOLING TOWER DEPOT, INC  
CORPORATE CIRCLE  
GOLDEN, CO 80401  
720-746-1234

JOB NUMBER:  
SCALE: **NO SCALE**  
SHEET **1** OF **1**  
DRAWING NUMBER: **A-100**

## CTD-M4316TS 75HP Motor

Performance Graph at 460V, 60Hz, 75.0HP (Typical performance - Not guaranteed values)

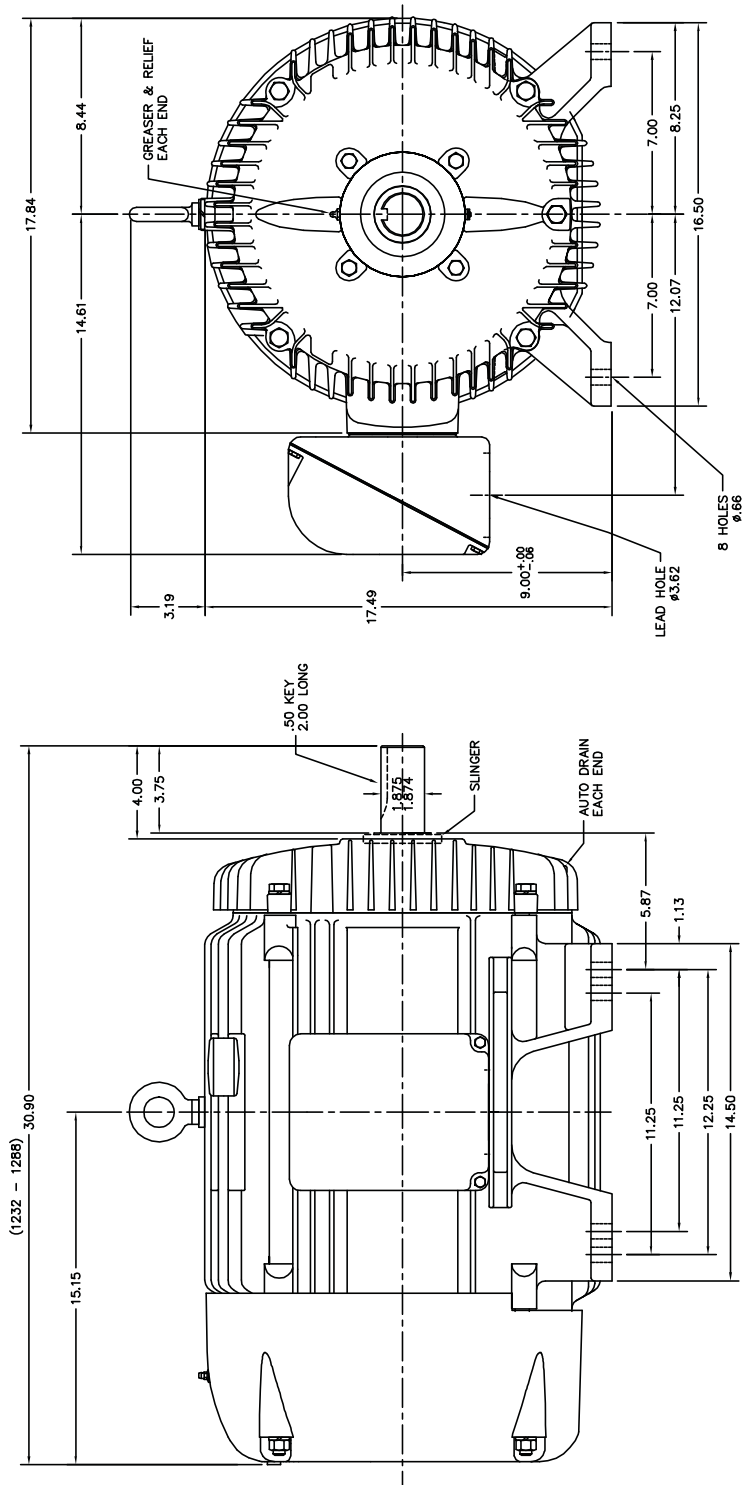


### Performance Data at 460V, 60Hz, 75.0HP (Typical performance - Not guaranteed values)

General Characteristics							
Full Load Torque:	221.0 LB-FT	Start Configuration:			DOL		
No-Load Current:	30.4 Amps	Break-Down Torque:			700.0 LB-FT		
Line-line Res. @ 25°C.:	0.0681 Ohms A Ph / 0.0 Ohms B Ph	Pull-Up Torque:			361.0 LB-FT		
Temp. Rise @ Rated Load:	69°C	Locked-Rotor Torque:			429.0 LB-FT		
Temp. Rise @ S.F. Load:	85°C	Starting Current:			621.0 Amps		
Load Characteristics							
% of Rated Load:	25	50	75	100	125	150	S.F.
Power Factor:	54.0	75.0	83.0	86.0	88.0	88.0	87.0
Efficiency:	90.8	93.8	94.3	94.1	93.4	92.6	93.7
Speed:	1792.0	1785.0	1780.0	1773.0	1766.0	1759.0	1769.0
Line Amperes:	36.2	49.8	67.1	85.9	107.0	129.0	98.6

	PROJECT NAME AND LOCATION:	THIS DRAWING IS THE SOLE PROPERTY OF COOLING TOWER DEPOT INC. USE SHALL BE LIMITED TO THE PROJECT FOR WHICH IT IS INTENDED, NO REPRODUCTION SHALL BE MADE NOR SHALL THIS INFORMATION BE MADE AVAILABLE TO THIRD PARTIES WITHOUT THE PRIOR WRITTEN CONSENT BY COOLING TOWER DEPOT INC. ANY AND ALL PROPRIETARY RIGHTS TO THIS INFORMATION AND DESIGN ARE THE SOLE PROPERTY OF COOLING TOWER DEPOT INC.				COOLING TOWER DEPOT, INC CORPORATE CIRCLE GOLDEN, CO 80401 720-746-1234	JOB NUMBER: 0 SCALE: NO SCALE	REV. / SHEET 1 / 1		
	MODEL NO.:	REVISIONS								
	DWG NAME:	REV.	DESCRIPTION	DESIGNED BY:	CHECKED BY:				APPROVED BY:	DATE:
	DRAWING NUMBER: A-100	JOB NUMBER:	SHEET 1 of 1	REV: 0						

## CTD-M4316TS 75HP Motor



PROJECT NAME AND LOCATION:			
MODEL NO.:			
DWG NAME:			
DRAWING NUMBER:	JOB NUMBER:	SHEET	REV:
A-100		1 of 1	0
SCALE: NO SCALE		COMMENTS:	

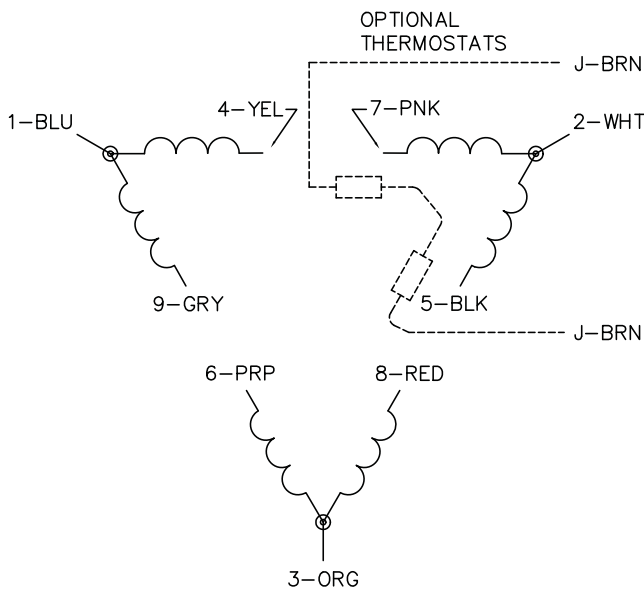
THIS DRAWING IS THE SOLE PROPERTY OF COOLING TOWER DEPOT INC. USE SHALL BE LIMITED TO THE PROJECT FOR WHICH IT IS INTENDED, NO REPRODUCTION SHALL BE MADE NOR SHALL THIS INFORMATION BE MADE AVAILABLE TO THIRD PARTIES WITHOUT THE PRIOR WRITTEN CONSENT BY COOLING TOWER DEPOT INC. ANY AND ALL PROPRIETARY RIGHTS TO THIS INFORMATION AND DESIGN ARE THE SOLE PROPERTY OF COOLING TOWER DEPOT INC.

REVISIONS			
REV.	DESCRIPTION	DESIGNED BY:	CHECKED BY:
0			
1			
2			
3			
4			

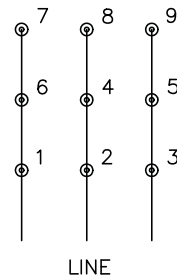
COOLING TOWER DEPOT, INC  
CORPORATE CIRCLE  
GOLDEN, CO 80401  
720-746-1234

PROJECT NUMBER:	0
SCALE:	NO SCALE
SHEET	1 of 1
PROJECT NUMBER:	A-100

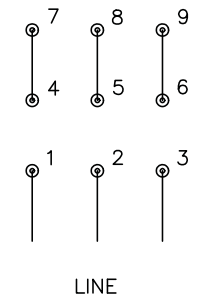
## CTD-M4316TS 75HP Motor



LOW VOLTAGE  
(2D)



HIGH VOLTAGE  
(1D)



NOTES:

1. INTERCHANGE ANY TWO LINE LEADS TO REVERSE ROTATION.
2. OPTIONAL THERMOSTATS ARE PROVIDED WHEN SPECIFIED.
3. ACTUAL NUMBER OF INTERNAL PARALLEL CIRCUITS MAY BE A MULTIPLE OF THOSE SHOWN ABOVE.
4. LEAD COLORS ARE OPTIONAL. LEADS MUST ALWAYS BE NUMBERED AS SHOWN.

	PROJECT NAME AND LOCATION:	THIS DRAWING IS THE SOLE PROPERTY OF COOLING TOWER DEPOT INC. USE SHALL BE LIMITED TO THE PROJECT FOR WHICH IT IS INTENDED, NO REPRODUCTION SHALL BE MADE NOR SHALL THIS INFORMATION BE MADE AVAILABLE TO THIRD PARTIES WITHOUT THE PRIOR WRITTEN CONSENT BY COOLING TOWER DEPOT INC. ANY AND ALL PROPRIETARY RIGHTS TO THIS INFORMATION AND DESIGN ARE THE SOLE PROPERTY OF COOLING TOWER DEPOT INC.				COOLING TOWER DEPOT, INC CORPORATE CIRCLE GOLDEN, CO 80401 720-746-1234	JOB NUMBER: 0 SCALE: NO SCALE	SHEET: 1 of 1 NO SCALE	REV. NO: A-100		
	MODEL NO.:	REVISIONS									
	DWG NAME:	REV.	DESCRIPTION	DESIGNED BY:	CHECKED BY:					APPROVED BY:	DATE:
	DRAWING NUMBER: A-100	JOB NUMBER:	SHEET: 1 of 1	REV: 0							
SCALE: NO SCALE	COMMENTS:										