

CTD-M4400T 100HP Motor



Product Detail

Revision:	G	Status:	PRD/A	Change #:		Proprietary:	No
Type:	AC	Prod Type:	1480M	Elec. Spec:	14WGx462	CD Diagram:	CD0180
Enclosure	TEFC	Mfg Plant:		Mech Spec:	14T065	Layout:	14LYT065
Frame:	405T	Mounting:	F1	Poles:	04	Created Date:	
Base:	RG	Rotation:	R	Insulation:	F	Eff. Date:	11-21-2006
Leads:	9#2	Literature:		Elec. Diagram:		Replaced By:	

Nameplate NP1256L

CAT.NO.	M4400T							
SPEC.	14T065X462							
HP	100							
VOLTS	230/460							
AMP	226/113							
RPM	1775							
FRAME	405T	HZ	60	PH	3			
SER.F.	1.15	CODE	G	DES	B	CLASS	F	
NEMA-NOM-EFF	94.5	PF	88					
RATING	40C AMB-CONT							
CC	010A	USABLE AT 208V						
DE	6316	ODE	6312					
ENCL	TEFC	SN						



PROJECT NAME AND LOCATION:			
MODEL NO.:			
DWG NAME:			
DRAWING NUMBER:	JOB NUMBER:	SHEET	REV:
A-100		1 of 1	0
SCALE:	COMMENTS:		
NO SCALE			

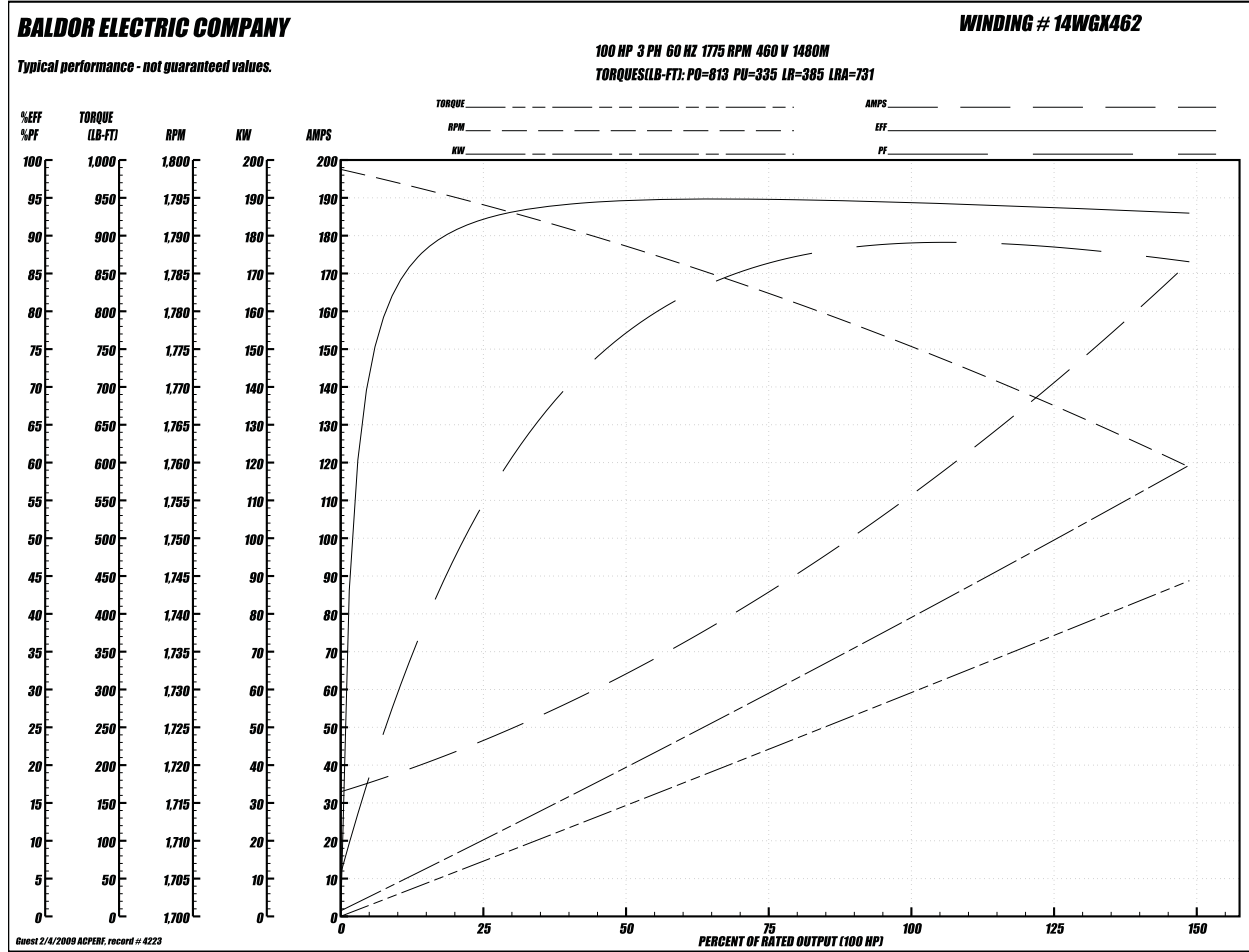
THIS DRAWING IS THE SOLE PROPERTY OF COOLING TOWER DEPOT INC. USE SHALL BE LIMITED TO THE PROJECT FOR WHICH IT IS INTENDED. NO REPRODUCTION SHALL BE MADE NOR SHALL THIS INFORMATION BE MADE AVAILABLE TO THIRD PARTIES WITHOUT THE PRIOR WRITTEN CONSENT BY COOLING TOWER DEPOT INC. ANY AND ALL PROPRIETARY RIGHTS TO THIS INFORMATION AND DESIGN ARE THE SOLE PROPERTY OF COOLING TOWER DEPOT INC.				
REVISIONS				
REV.	DESCRIPTION	DESIGNED BY:	CHECKED BY:	APPROVED BY:
0				
1				
2				
3				
4				

COOLING TOWER DEPOT, INC
CORPORATE CIRCLE
GOLDEN, CO 80401
720-746-1234

JOB NUMBER:	0
SCALE:	NO SCALE
DATE:	1 of 1
PROJECT NUMBER:	A-100

CTD-M4400T 100HP Motor

Performance Graph at 460V, 60Hz, 100.0HP (Typical performance - Not guaranteed values)

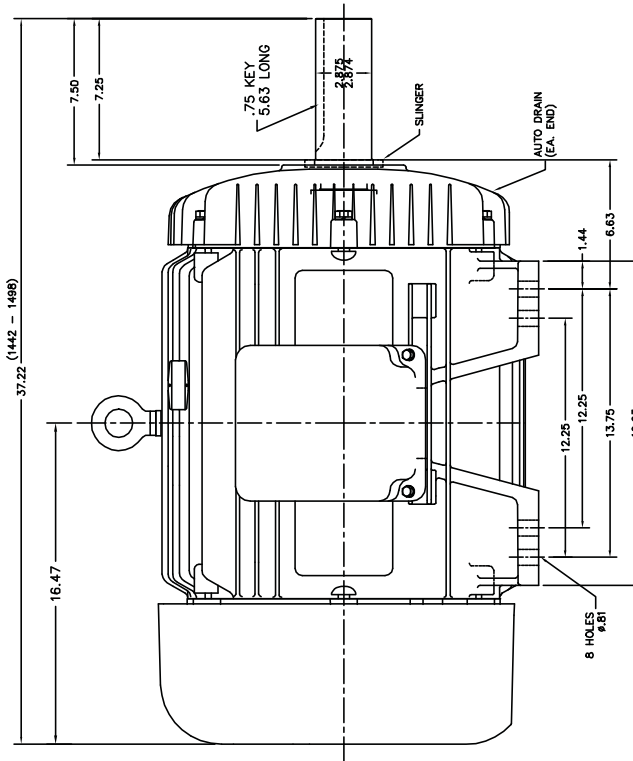
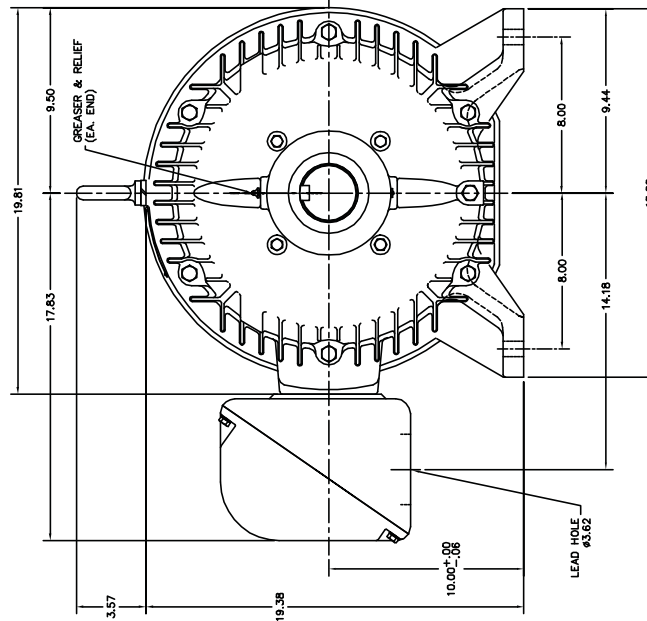


Performance Data at 460V, 60Hz, 100.0HP (Typical performance - Not guaranteed values)

General Characteristics							
Full Load Torque:	296.0 LB-FT	Start Configuration:	DOL				
No-Load Current:	35.0 Amps	Break-Down Torque:	813.0 LB-FT				
Line-line Res. @ 25°C.:	0.054 Ohms A Ph / 0.0 Ohms B Ph	Pull-Up Torque:	335.0 LB-FT				
Temp. Rise @ Rated Load:	79°C	Locked-Rotor Torque:	385.0 LB-FT				
Temp. Rise @ S.F. Load:	97°C	Starting Current:	731.0 Amps				
Load Characteristics							
% of Rated Load:	25	50	75	100	125	150	S.F.
Power Factor:	58.0	78.0	85.0	88.0	88.0	88.0	88.0
Efficiency:	91.8	94.4	94.8	94.5	93.8	92.9	94.1
Speed:	1794.0	1788.0	1782.0	1776.0	1768.0	1759.0	1771.0
Line Amperes:	43.8	63.3	87.2	113.0	141.0	172.0	129.8

	PROJECT NAME AND LOCATION:	THIS DRAWING IS THE SOLE PROPERTY OF COOLING TOWER DEPOT INC. USE SHALL BE LIMITED TO THE PROJECT FOR WHICH IT IS INTENDED, NO REPRODUCTION SHALL BE MADE NOR SHALL THIS INFORMATION BE MADE AVAILABLE TO THIRD PARTIES WITHOUT THE PRIOR WRITTEN CONSENT BY COOLING TOWER DEPOT INC. ANY AND ALL PROPRIETARY RIGHTS TO THIS INFORMATION AND DESIGN ARE THE SOLE PROPERTY OF COOLING TOWER DEPOT INC.				COOLING TOWER DEPOT, INC CORPORATE CIRCLE GOLDEN, CO 80401 720-746-1234	JOB NUMBER: SCALE: NO SCALE	REV. 0 SHEET 1 of 1 A-100		
	MODEL NO.:	REVISIONS								
	DWG NAME:	REV.	DESCRIPTION	DESIGNED BY:	CHECKED BY:				APPROVED BY:	DATE:
	DRAWING NUMBER: A-100	JOB NUMBER:	SHEET 1 of 1	REV: 0						

CTD-M4400T 100HP Motor



PROJECT NAME AND LOCATION:			
MODEL NO.:			
DWG NAME:			
DRAWING NUMBER:	JOB NUMBER:	SHEET	REV:
A-100		1 of 1	0
SCALE:	COMMENTS:		
NO SCALE			

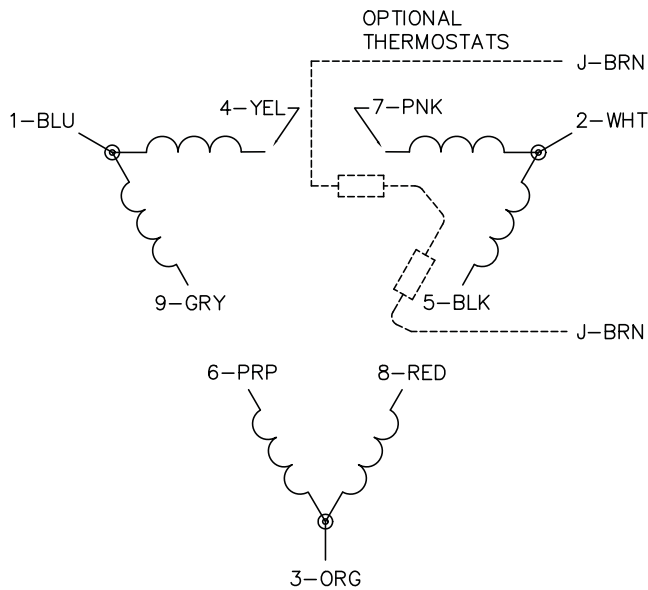
THIS DRAWING IS THE SOLE PROPERTY OF COOLING TOWER DEPOT INC. USE SHALL BE LIMITED TO THE PROJECT FOR WHICH IT IS INTENDED, NO REPRODUCTION SHALL BE MADE NOR SHALL THIS INFORMATION BE MADE AVAILABLE TO THIRD PARTIES WITHOUT THE PRIOR WRITTEN CONSENT BY COOLING TOWER DEPOT INC. ANY AND ALL PROPRIETARY RIGHTS TO THIS INFORMATION AND DESIGN ARE THE SOLE PROPERTY OF COOLING TOWER DEPOT INC.

REVISIONS					
REV.	DESCRIPTION	DESIGNED BY:	CHECKED BY:	APPROVED BY:	DATE:
0					
1					
2					
3					
4					

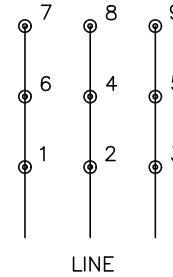
COOLING TOWER DEPOT, INC
CORPORATE CIRCLE
GOLDEN, CO 80401
720-746-1234

REV:	0
JOB NUMBER:	
SCALE:	NO SCALE
SHEET	1 of 1
DRAWING NUMBER:	A-100

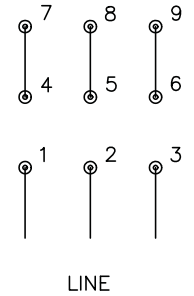
CTD-M4400T 100HP Motor



LOW VOLTAGE
(2D)



HIGH VOLTAGE
(1D)



NOTES:

1. INTERCHANGE ANY TWO LINE LEADS TO REVERSE ROTATION.
2. OPTIONAL THERMOSTATS ARE PROVIDED WHEN SPECIFIED.
3. ACTUAL NUMBER OF INTERNAL PARALLEL CIRCUITS MAY BE A MULTIPLE OF THOSE SHOWN ABOVE.
4. LEAD COLORS ARE OPTIONAL. LEADS MUST ALWAYS BE NUMBERED AS SHOWN.

	PROJECT NAME AND LOCATION:	THIS DRAWING IS THE SOLE PROPERTY OF COOLING TOWER DEPOT INC. USE SHALL BE LIMITED TO THE PROJECT FOR WHICH IT IS INTENDED, NO REPRODUCTION SHALL BE MADE NOR SHALL THIS INFORMATION BE MADE AVAILABLE TO THIRD PARTIES WITHOUT THE PRIOR WRITTEN CONSENT BY COOLING TOWER DEPOT INC. ANY AND ALL PROPRIETARY RIGHTS TO THIS INFORMATION AND DESIGN ARE THE SOLE PROPERTY OF COOLING TOWER DEPOT INC.				COOLING TOWER DEPOT, INC CORPORATE CIRCLE GOLDEN, CO 80401 720-746-1234	REV: 0	NO SCALE	NO SCALE	NO SCALE		
	MODEL NO.:	REVISIONS					COOLING TOWER DEPOT, INC CORPORATE CIRCLE GOLDEN, CO 80401 720-746-1234	1	1	1	1	
	DWG NAME:	REV. 0	DESCRIPTION	DESIGNED BY:	CHECKED BY:			APPROVED BY:	DATE:	1	1	1
	DRAWING NUMBER: A-100	JOB NUMBER:	SHEET 1 of 1	REV: 0	1			2	3	4	1	1
SCALE: NO SCALE	COMMENTS:	4										